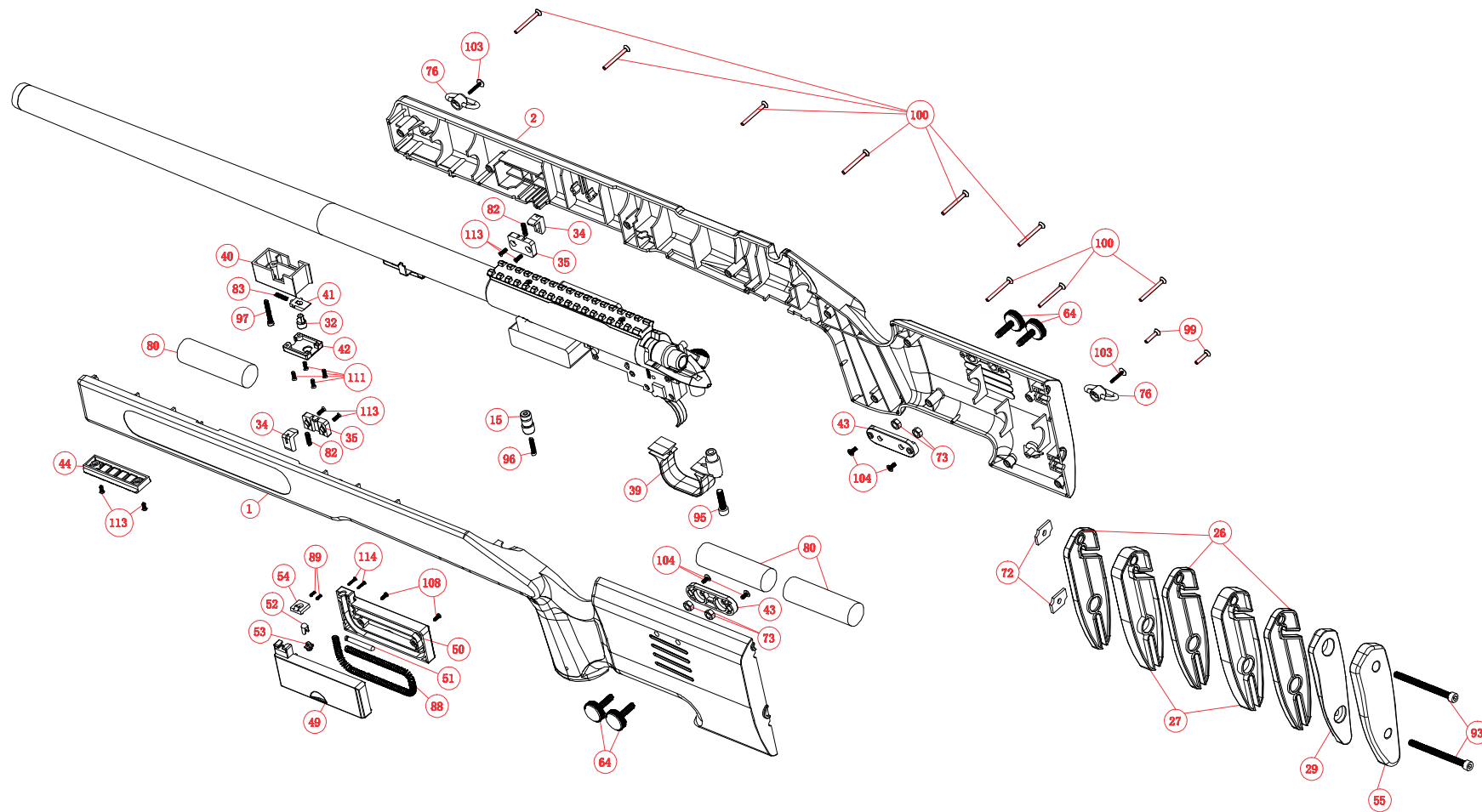


# Ref. 50132 - AW .308 Gas Operated Sniper



# Ref. 50132 - AW .308 Gas Operated Sniper

